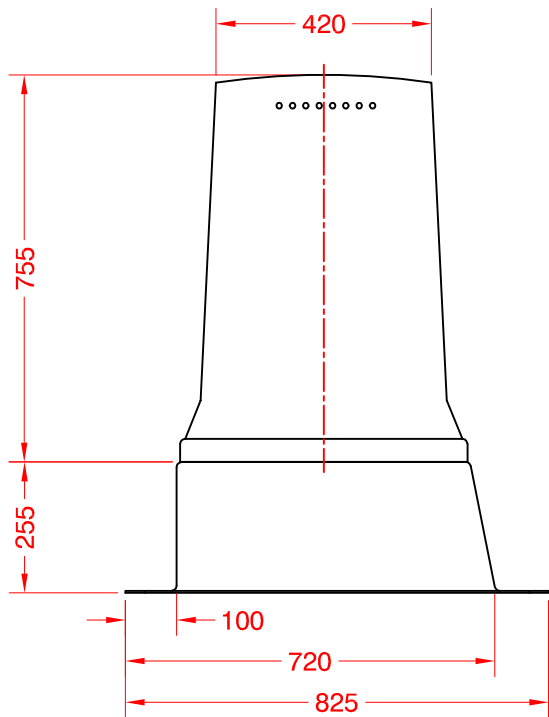
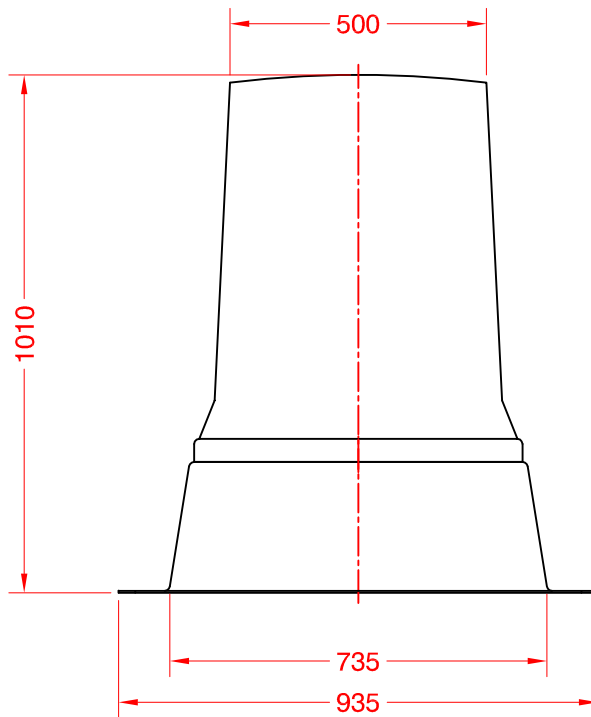


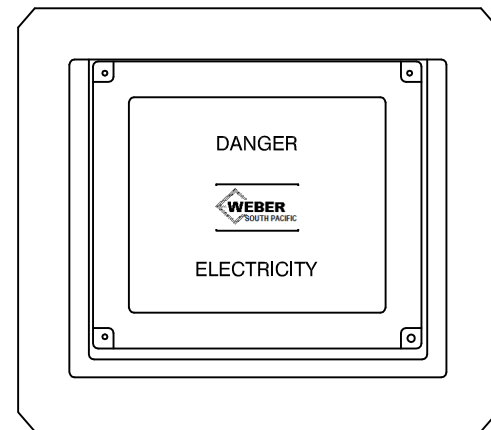
COMPLETE PILLAR, IP24D



SIDE VIEW



FRONT VIEW



TOP VIEW

1 DETAIL
 DESCRIPTION: DISTRIBUTION PILAR, BASE
 MATERIAL: FIBREGLASS
 COLOUR: GREEN G14
 THICKNESS: 3-5mm

SCALE	DRAWN
1:15	Trevor McCall
TOLERANCE	DATE
±1 UNO	14/02/2014

This drawing must not be reproduced in part or whole without permission of Weber South Pacific.



Weber South Pacific Pty Ltd	Tel. (07) 3841 6899
PO Box 4264 Eight Mile Plains	Fax. (07) 3841 6877
Queensland Australia	Email:-sales@webersouthpacific.com.au

Client	Drawing Number	Revision
WEBER	V-PILLAR-BASE ASSY	1